

MOBIFRAME



SAF 05

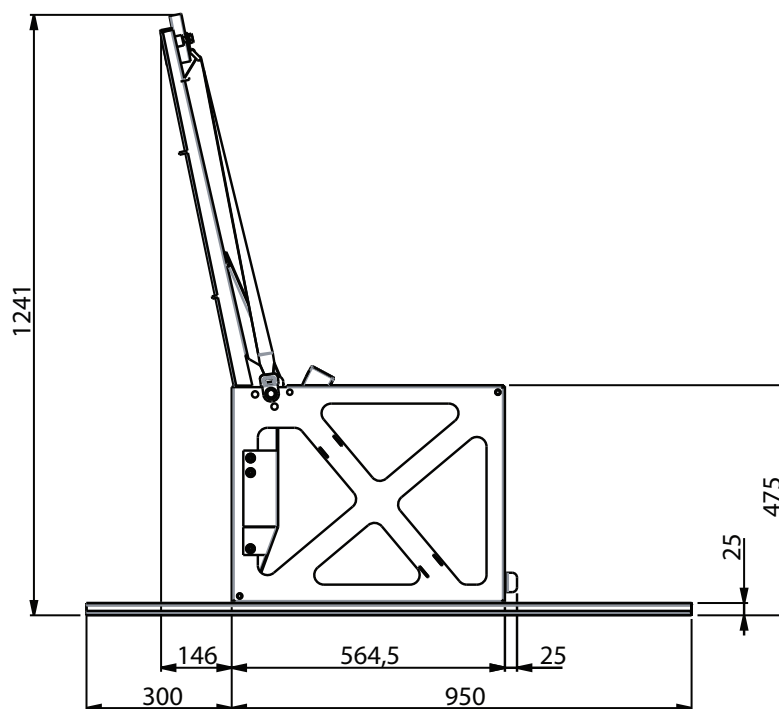
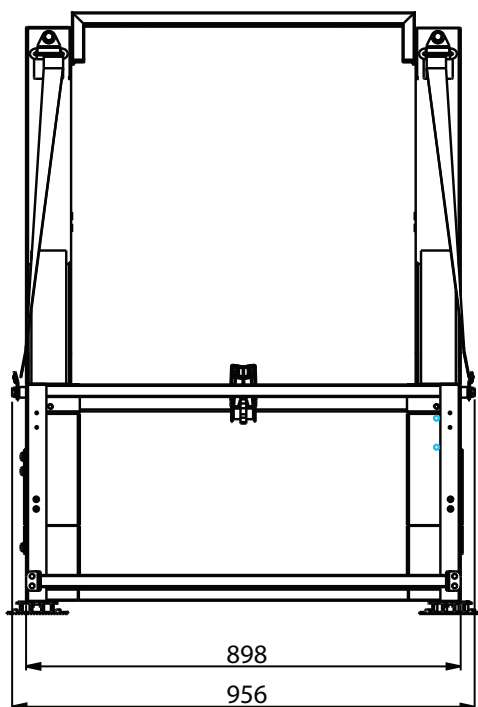
Camper bench frame

Devices for comfort and safetiness

SAF 05

Camper bench frame

MOBIFRAME



Features:

- Fully tested according to the ECE requirements for M1 and N1 vehicles
- Double seat camper bench frame
- 3 point seatbelts further width apart
- ISOFIX and TOP TETHER anchorages
- Storage space under optional seat cushions.
- Suitable for many vehicles types.

Installation system:

- Installation by Mobiframe's aluminum rails system.