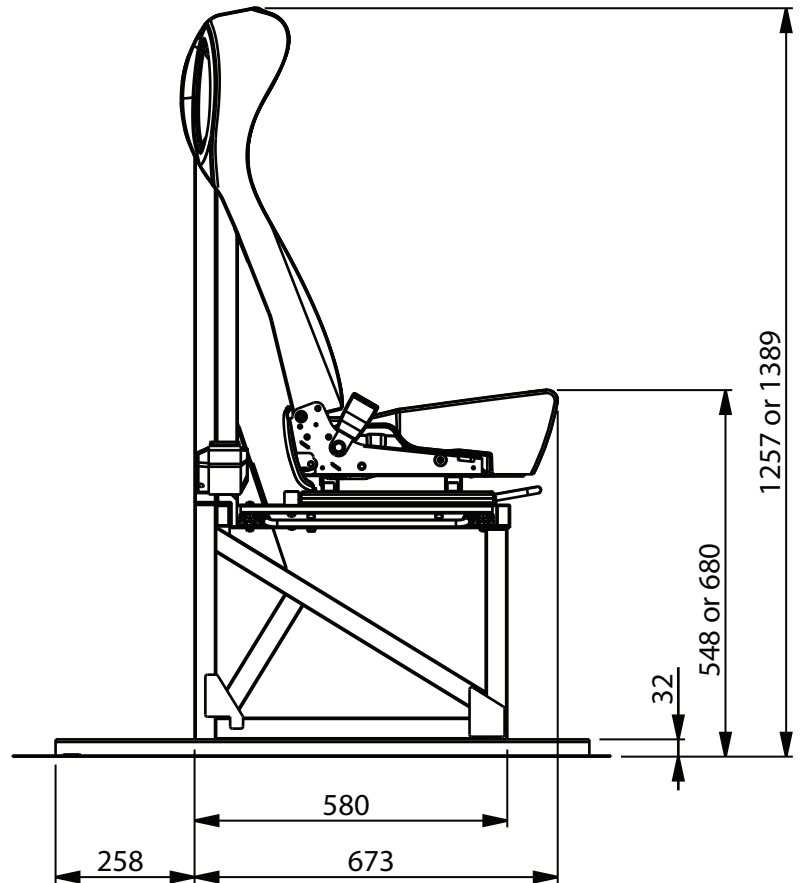
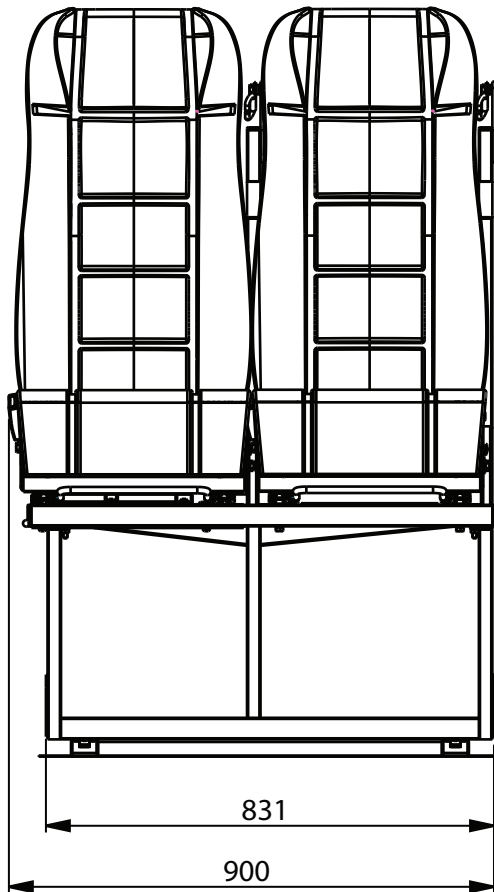


MOBIFRAME



RAM02

Devices for comfort and safety



Features:

- Fully tested according to ECE requirements for M1 and N1 vehicles
- Two seater bench with comfortable single seats
- 3 point seat belts
- Lateral adjustment to allow for an additional 100 mm space when travelling
- Longitudinal adjustment and reclining backrest for greater passenger comfort.
- Two part frame with underneath storage space.

Installation system:

- Installation by set of special underfloor reinforcements
- Installation by special steel plate.

Optional:

- ISOFIX and TOP TETHER anchorages
- Heated seats
- Aisle seat upholstered armrest
- Higher base for double floor conversions in vehicles such as a FIAT Ducatoase legs.

